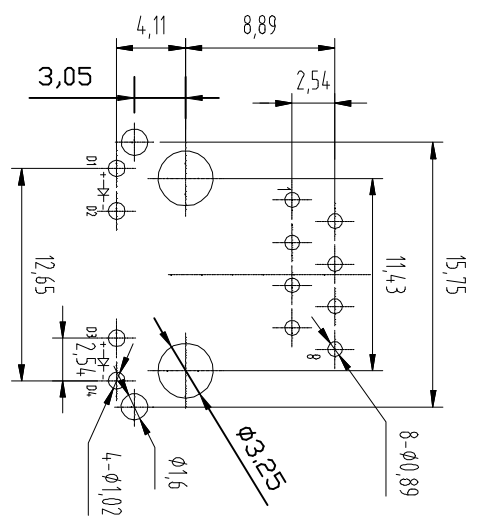
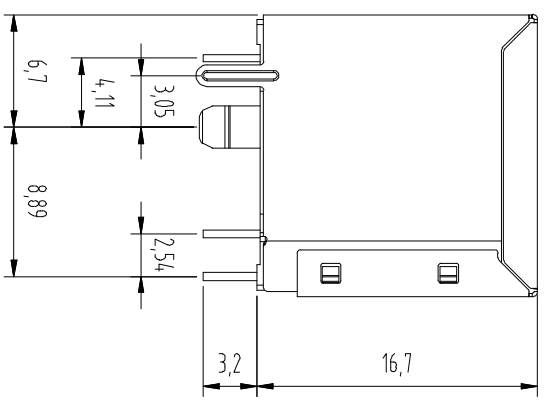
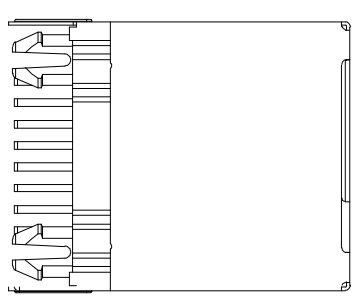
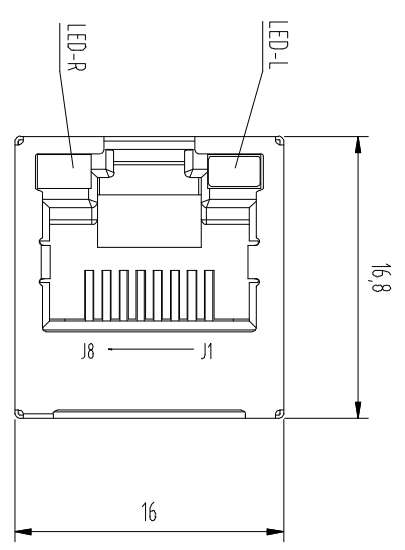
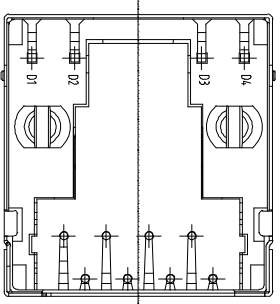


CATEGORY	DESCRIPTION	P/N #
CONNECTOR	RJ45 8P8C Connector 立式with LED	MJ522488-BX11-GPLXF1



PCB LAYOUT



REV.	ECN NO	DESCRIPTION	REVISED	DATE
A01		New Release	KELLY	2008.09.19

ELECTRICAL:

- 1.VOLTAGE RATING :125 VAC RMS.
- 2.CURRENT RATING :15 AMP.
- 3.CONTACT RESISTANCE :30 MILLIOHMS MAX.
- 4.INSULATION RESISTANCE :1000 MEGOHMS MIN @ 500V DC.
- 5.DIELECTRIC STRENGTH :1000V AC RMS 50Hz 1MIN.

MECHANICAL:

- 1.HOUSING MATERIAL :LEAD FREE POLYESTER UL94V-0.
- 2.CONTACT MATERIAL :PHOSPHOR BRONZE ϕ 0.45mm ROUND PIN.
- 3.PLATING :GOLD PLATING OVER NICKEL.
- 4.OPERATING :750 CYCLES MIN.
- 5.SHELDING :0.20mm THICKNESS COPPER ALLOY WITH NICKEL PLATED.
- 6.PCB RETENTION PRE-SOLDER :1 LB MIN.

ENVIRONMENTAL:

- 1.Temperature Range : -40 $^{\circ}$ ~+85 $^{\circ}$ C
 - 2.Relative Humidity : 90~95% (40 \pm 2 $^{\circ}$ C)
- MATES WITH MODULAR PLUG CONFORMING TO FCC PART 68, SUBPART F.

Part No.:

MJ522488-BX11-GPLXF1

Material & Plating

X	Terminal Plating
0	Au 1 μ " Plating
1	Au 3 μ " Plating
2	Au 6 μ " Plating
3	Au 15 μ " Plating
4	Au 30 μ " Plating
5	Au 50 μ " Plating

X	LED-L	LED-R
1	GREEN	YELLOW
2	YELLOW	GREEN
3	ORANGE	GREEN

东莞市合陵电子有限公司
DongGuan Heling Electronic Co.,LTD

UNLESS OTHERWISE SPECIFIED TOLERANCES	SCALE:1/1	UNIT: mm	DWG.NO:
DECIMALS: .X	SIZE: A3	PAGE:1 OF 1	REV:A01
ANGLES: .X.X	APPROVED BY	CHECKED BY	PREPARED BY
X.XX	TONY	BILL	KELLY
	CUSTOMER COPY		