

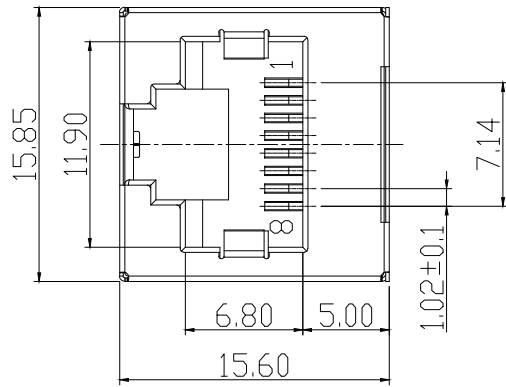
CATEGORY	DESCRIPTION	P/N #
CONNECTOR	RJ45 180度插板带壳H=12.9mm	MJ882-BX11-HPPD1

由原料号 MJ88-BX11-JP1
变更为 MJ882-BX11-HPPD1

REV.	ECN NO	DESCRIPTION	REVISED	DATE
A01	——	整理图面	XSY	2015.09.15
A02	——	新增电镀规格	XSY	2016.02.20

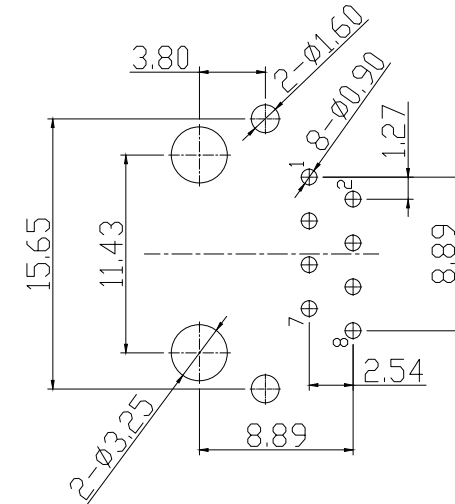
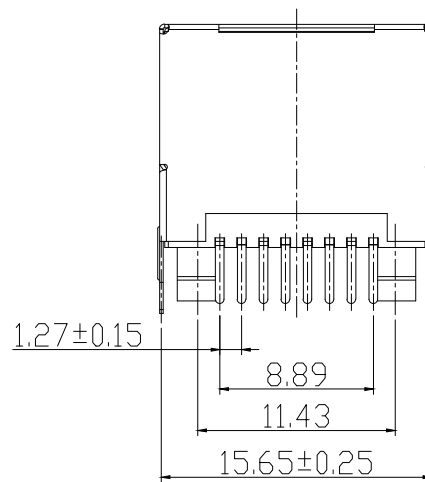
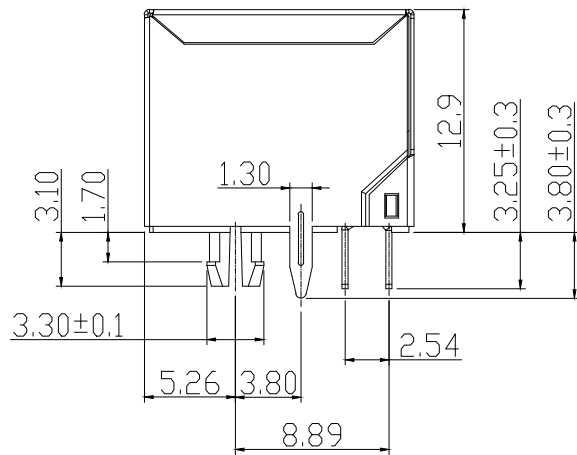
SPECIFICATION

- VOLTAGE RATING: 125 VAC RMS.
- CURRENT RATING: 1.5 AMP
- CONTACT RESISTANCE: 40 mΩ MAX
- INSULATION RESISTANCE: 500MΩ MIN.
- WITHSTAND VOLTAGE:
AC1000V RMS 50Hz or 60Hz MIN.
- OPERATING TEMPERATURE: -40°C~+80°C



MJ882-BX11-HPPD1

X	Terminal Plating
0	G/F Plating
1	Au 3u" Plating
2	Au 6u" Plating
3	Au 15u" Plating
4	Au 30u" Plating
5	Au 50u" Plating



Recommend PCB Layout
(Jack Top View)
Tolerance: ±0.05mm
Recommend PCB Thickness: 1.6mm

NO.	PART NAME	Q'TY	MATERIAL	PLATING & COLOR	Remark
d	SHELL	1	BRASS T=0.2mm	Ni PALTING	
c	TERMINAL	8	PHOSPHOR BRONZE T=0.35mm	Au/Tin PALTING	
b	INSERT	1	PBT UL94V-0	BLACK	
a	HOUSING	1	PBT UL94V-0	BLACK	

UNLESS OTHERWISE SPECIFIED TOLERANCES	SCALE: 1/1	UNIT: mm		DWG.NO:
	SIZE: A3	PAGE: 1 OF 1	REV: A02	WI-061-153
DECIMALS: X :±0.5 X.X :±0.3 X.XX :±0.2	ANGLES: X :±2° X.X :±1°	APPROVED BY	CHECKED BY	PREPARED BY
		DICK	XSY	XSY
CUSTOMER COPY				



東莞市合陵電子有限公司
DongGuan HeLing Electronic Co.,LTD